



For Security
Day & Night

Applicable camera (model)

D60x12.5R2DE-V41

| | | | | |
|---|-----|-----|-----|-----|
| 1 | 2/3 | 1/2 | 1/3 | 1/4 |
|---|-----|-----|-----|-----|

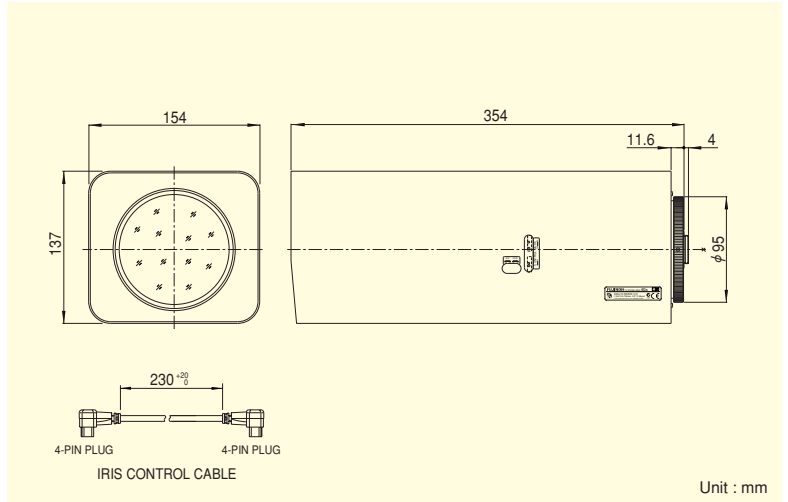
60x



*Photograph is a similar model.

- Offering F3.8 brightness and 60x zoom (focal length of 1500mm when used with an extender), these lenses are suited for long-range surveillance, such as for seaport security.
- The compact and lightweight design allows establishment of compact remote surveillance systems.
- Day/Night capability for high-quality imaging around the clock.
- Equipped with a 2x extender that provides clear identification of individuals at a distance of 3km.
- Multi-power compatibility for connection to existing surveillance systems for zoom operation.
- Iris Override function allows manual iris adjustment.

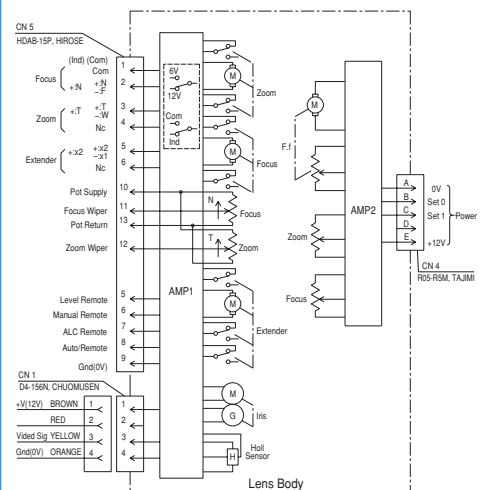
| | | | | | | |
|------------------------|-----------------------------|-------------------------------------|-----------------------------------|-----------------------------------|---------------------------------|------------------------------|
| ZOOM Zoom | WIDE Wide Angle | TELE Telephoto Long Focal | MOTOR DRIVE Motor Drive | Day~Night Day & Night | VIDEO Video Auto Iris | REMOTE Remote Iris |
| C-mt C Mount | METAL Metal Mount | ND ND Filter | 2x Extender | F3.8 Wide Aperture Rate | | |



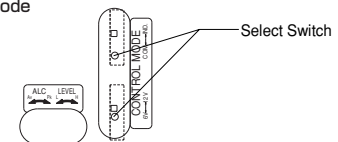
DAY & NIGHT LENSES

| | | 1x | 2x | |
|---|-------|--|----------------------------------|-----------------|
| Focal Length (mm) | | 12.5~750 (60x) | 25~1500 (60x) | |
| Iris Range | | F3.8~T3000 (Equivalent to F3000) | F7.6~T6000 (Equivalent to F6000) | |
| Operation | Zoom | Motor Drive | | |
| | Focus | Motor Drive | | |
| | Iris | Auto (Video Type) or Manual Remote | | |
| Angle Of View (HXV) | 1/2" | WIDE | 28°43' X 21°44' | 14°35' X 10°58' |
| | | TELE | 0°29' X 0°22' | 0°15' X 0°11' |
| | 1/3" | WIDE | 21°44' X 16°23' | 10°58' X 8°14' |
| | | TELE | 0°22' X 0°17' | 0°11' X 0°08' |
| | 1/4" | WIDE | 16°23' X 12°20' | 8°14' X 6°11' |
| | | TELE | 0°17' X 0°08' | 0°08' X 0°06' |
| Focusing Range (From Front Of The Lens) (m) | | ∞ ~ 5 | ∞ ~ 5 | |
| Object Dimensions at M.O.D. (HXV) (mm) | 1/2" | WIDE | 2465 X 1849 | 1233 X 924 |
| | | TELE | 41 X 35 | 21 X 55 |
| | 1/3" | WIDE | 1849 X 1837 | 925 X 693 |
| | | TELE | 31 X 23 | 16 X 12 |
| | 1/4" | WIDE | 1387 X 1040 | 693 X 520 |
| | | TELE | 23 X 17 | 12 X 9 |
| Back Focal Distance (in air) (mm) | | 53.23 | 53.23 | |
| Exit Pupil Position (From Image Plane) (mm) | | -64 | -64 | |
| Filter Thread (mm) | | M107X1 | | |
| Mount | | C | | |
| Extender | | 2x | | |
| Mass (kg) | | 5.2 | | |
| Standard Accessories | | Iris Control Cable Connection Connector | | |
| Remarks | | • With Metal Mount | | |

Wiring



Control Mode



Factory Setting : 12V / IND.

| Controller output | Select switch position |
|-------------------|------------------------|
| 6V | 6V / IND. |
| ±6V | 6V / COM. |
| 12V | 12V / IND. |
| ±12V | 12V / COM. |