



For Security
Custom

Applicable camera (model)

S16×7.3DA-R1U

1	2/3	1/2	1/3	1/4

ZOOM
Zoom

WIDE
Wide Angle

TELE
Telephoto
Long Focal

MOTOR DRIVE
Motor Drive

3CCD
For 3CCD
Camera

CUSTOM
Custom

C-mt
C Mount

METAL
Metal Mount

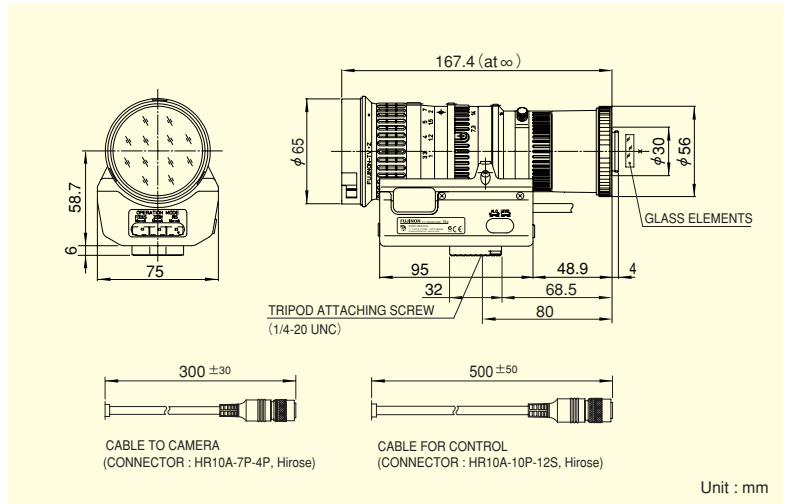
SERVO
Full Servo

16x



*Photograph is a similar model.

- Special design for optimizing the performance of IKEGAMI MKC-505.
- Special design for optimizing the image quality of 3CCD cameras.
- High-power zoom lens covering wide angle and telephoto.



Focal Length (mm)		7.3~117 (16x)	
Iris Range		F1.9 ~ F16	
Operation	Zoom	Servo Control	
	Focus	Servo Control	
	Iris	Auto or Servo Control	
Angle Of View (H×V)	1/2"	WIDE	47°20' × 36°24'
		TELE	3°08' × 2°21'
Focusing Range (From Front Of The Lens) (m)		∞ ~ 1	
Object Dimensions at M.O.D. (HXV) (mm)	1/2"	WIDE	823 × 617
		TELE	51 × 39
Back Focal Distance (in air) (mm)		14.81	
Exit Pupil Position (From Image Plane) (mm)		-125	
Filter Thread (mm)		M62 × 0.75	
Mount		C	
Mass (g)		900	
Remarks		<ul style="list-style-type: none"> • With Metal Mount • Zoom/Focus/Iris can be operated manually • For IKEGAMI MKC-505 	

Wiring

