



**For Security
Videoconferencing**

Applicable camera (model)

D16×7.3A-R11

1	2/3	1/2	1/3	1/4
---	-----	-----	-----	-----

ZOOM
Zoom

WIDE
Wide Angle

TELE
Telephoto
Long Focal

MOTOR DRIVE
Motor Drive

VIDEO
Video Auto Iris

C-mt
C Mount

METAL
Metal Mount

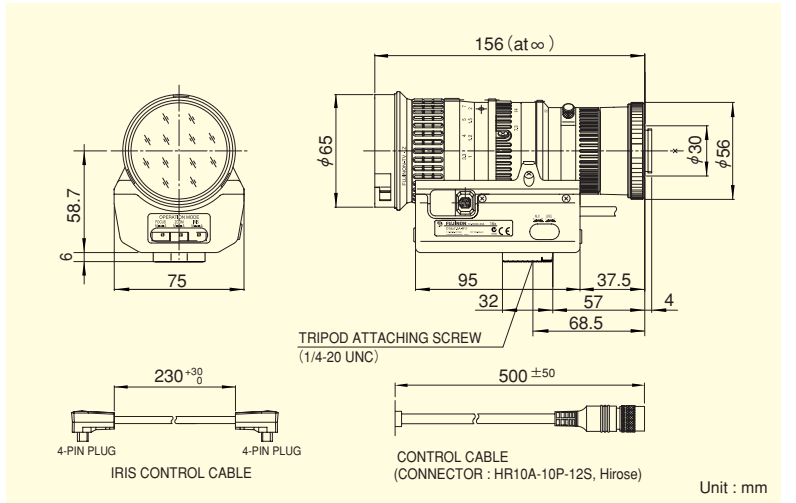
SERVO
Full Servo

16x



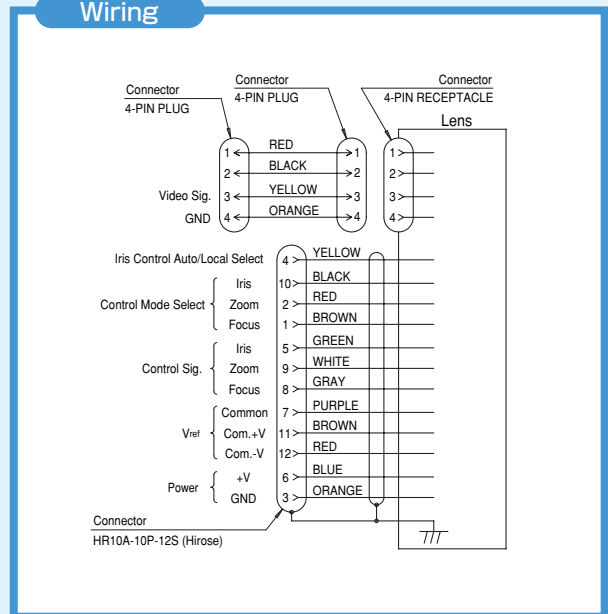
*Photograph is a similar model.

- With the high accuracy servo control enabled, best suited for advanced monitoring systems.
- High-power zoom lens covering wide angle and telephoto.
- PC control enabled with the dedicated controller combined.



Focal Length (mm)		7.3~117 (16x)	
Iris Range		F1.9 ~ F16	
Operation	Zoom	Servo Control	
	Focus	Servo Control	
Angle Of View (H×V)	1/2"	WIDE	47°20' × 36°24'
		TELE	3°08' × 2°21'
	1/3"	WIDE	36°24' × 27°42'
1/4"	TELE	2°21' × 1°46'	
	WIDE	27°42' × 20°57'	
TELE	1°46' × 1°19'		
Focusing Range (From Front Of The Lens)		∞ ~ 1	
Object Dimensions at M.O.D. (H×V) (mm)	1/2"	WIDE	823 × 617
		TELE	51 × 39
	1/3"	WIDE	617 × 464
		TELE	39 × 29
1/4"	WIDE	464 × 348	
	TELE	29 × 22	
Back Focal Distance (in air) (mm)		19.5	
Exit Pupil Position (From Image Plane) (mm)		220	
Filter Thread (mm)		M62 × 0.75	
Mount		C	
Mass (g)		900	
Standard Accessories		Iris Control Cable	
Remarks		<ul style="list-style-type: none"> • With Metal Mount • Zoom/Focus/Iris can be operated manually 	

Wiring



Accessories

Extender

Model	Magnification
HE15-1	1.5X
HE20-1	2X

Control Unit

Model	RMD-10	RMD-20	RMD-30
Operation	Zoom, Focus, Iris (Auto or Remote)		
Power Source	AC 90V~250V 50/60Hz		

* On how to connect the control box, refer to SYSTEM CHART (E-5).

Extension Cable

ECM-005M	5m
ECM-010M	10m
ECM-020M	20m
ECM-050M	50m
ECM-100M	100m

Cable Relay Unit

CGB-1

DC Power Source

CPS-401A-01A