



For FA/Machine Vision 3CCD Camera

Applicable camera (model)

S16×7.3DB-S41

1	2/3	1/2	1/3	1/4

ZOOM
Zoom

WIDE
Wide Angle

TELE
Telephoto
Long Focal

MOTOR DRIVE
Motor Drive

3CCD
For 3CCD
Camera

VIDEO
Video Auto Iris

C-mt
C Mount

METAL
Metal Mount

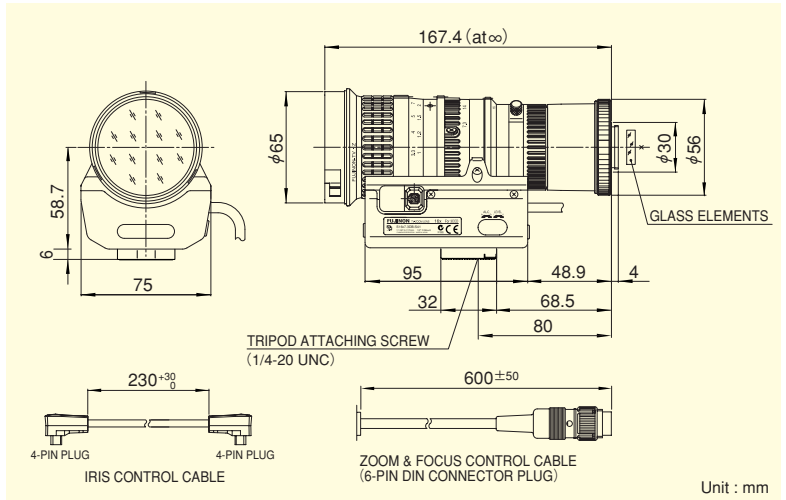
ND
ND Filter

16x



*Photograph is a similar model.

- Special design for optimizing the image quality of 3CCD cameras.
- Multi power compatibility (6V, ±6V, 12V, ±12V), for use with existing control systems.
- High-power zoom lens covering wide angle and telephoto.

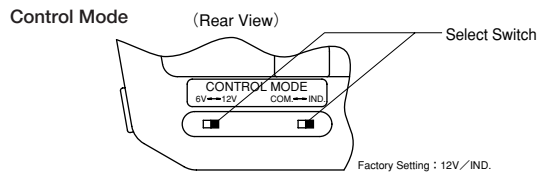
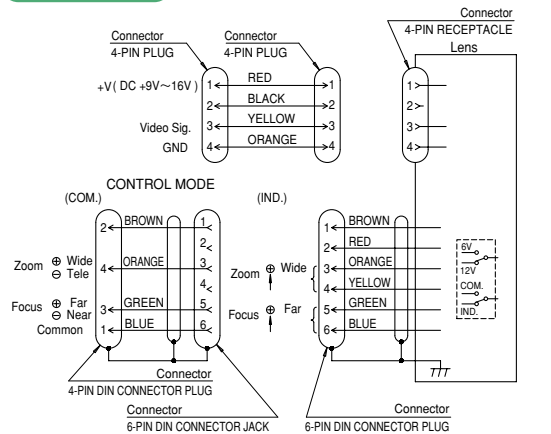


Focal Length (mm)		7.3~117 (16x)	
Iris Range		F1.9 ~ T400 (Equivalent to F400)	
Operation	Zoom	Motor Drive	
	Focus	Motor Drive	
	Iris	Auto (Video Type)	
Angle Of View (H×V)	1/2"	WIDE	47°20' × 36°24'
		TELE	3°08' × 2°21'
Focusing Range (From Front Of The Lens) (m)		∞ ~ 1	
Object Dimensions at M.O.D. (H×V) (mm)	1/2"	WIDE	823 × 617
		TELE	51 × 39
Back Focal Distance (in air) (mm)		14.81	
Exit Pupil Position (From Image Plane) (mm)		-125	
Filter Thread (mm)		M62 × 0.75	
Mount		C	
Mass (g)		900	

Standard Accessories	Iris Control Cable Conversion Cable (6-pin→4-pin) Connection Connector (4-pin, 6-pin)
----------------------	---

Remarks	• With Metal Mount
---------	--------------------

Wiring



Controller output	Select switch position	Conversion cable (Standard accessory)
6V	6V/IND.	Not necessary
±6V	6V/COM.	Necessary
12V	12V/IND.	Not necessary
±12V	12V/COM.	Necessary

Accessories

Control Unit

Model	CRD-2A	CRD-2B
Operation	Zoom, Focus	
Power Source	AC 100V/120V/220V/240V 50/60Hz	

AC Power Cord

Japan	PCA-1
U.S.A./Canada	PCA-2
Continental Europe	PCA-3
Australia	PCA-4
Without AC Plug	PCA-5

Extension Cable

CRD-2A	CEC-AA102-11 (10m)
	CEC-AA202-11 (20m)
CRD-2B	CEC-AB102-11 (10m)
	CEC-AB202-11 (20m)