

IEEE1394.b 1.45 million pixels color camera

KP-FD140F

Outline

KP-FD140F is high-resolution progressive scan color camera corresponding to IEEE1394.b with 1/2-inch full pixel read out CCD.



Main Features

1.45 million pixels, progressive scan high speed read out

This camera output high resolution color image with 15 frames per second using effective pixels 1392(H)x1040(V) and square lattices and primary color mosaic filter.

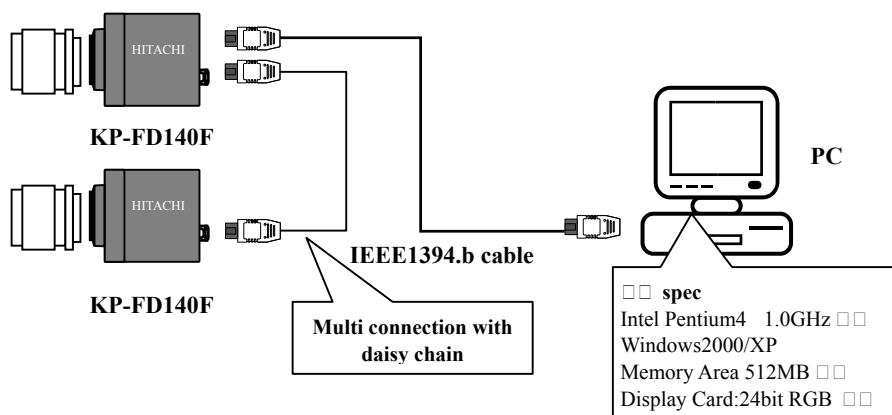
Supported IEEE1394.b

Since supported IEEE1394.b interface, direct PC connection with a thinner cable than a parallel output possible. Multi camera connection is possible by daisy chain.

Various functions

- Electronic shutter
- External sync
- Trigger
- Partial scan
- White balance
- Independent 6 color masking
- Daisy chain
- Remote control

<Connection example>



Specifications

Imaging sensor	1/2-inch interline CCD(RGB primary color mosaic)
Effective pixel	1392(H)×1040(V)
Unit cell size	4.65(H)×4.65(V)μm square size
Scanning system	Progressive scan
Sync system	Internal/external
Protocol	IEEE1394.b IIDC
Data format	RGB24□YUV(4:2:2)□Raw8□Raw16
Power	DC12V Approx.3.8W
Dimension	44(W)×44(H)×54(D)mm
Mass	Approx. 130g

E.

Microscope, Image-processing input, color printing or capturing images for Photo-ID, gauging On-line color inspection etc.

Please read a product specification for details.

These specifications are subject to change without prior notice due to product improvement.



Hitachi Kokusai Electric Inc.

Head Office

:14-20,Higashi-Nakano 3-choume, Nakano-ku, Tokyo 164-8511, Japan
 Phone : +81(0) 3-3368-6111, Fax : +81(0) 3-3365-9119
 URL : <http://www.h-kokusai.com>