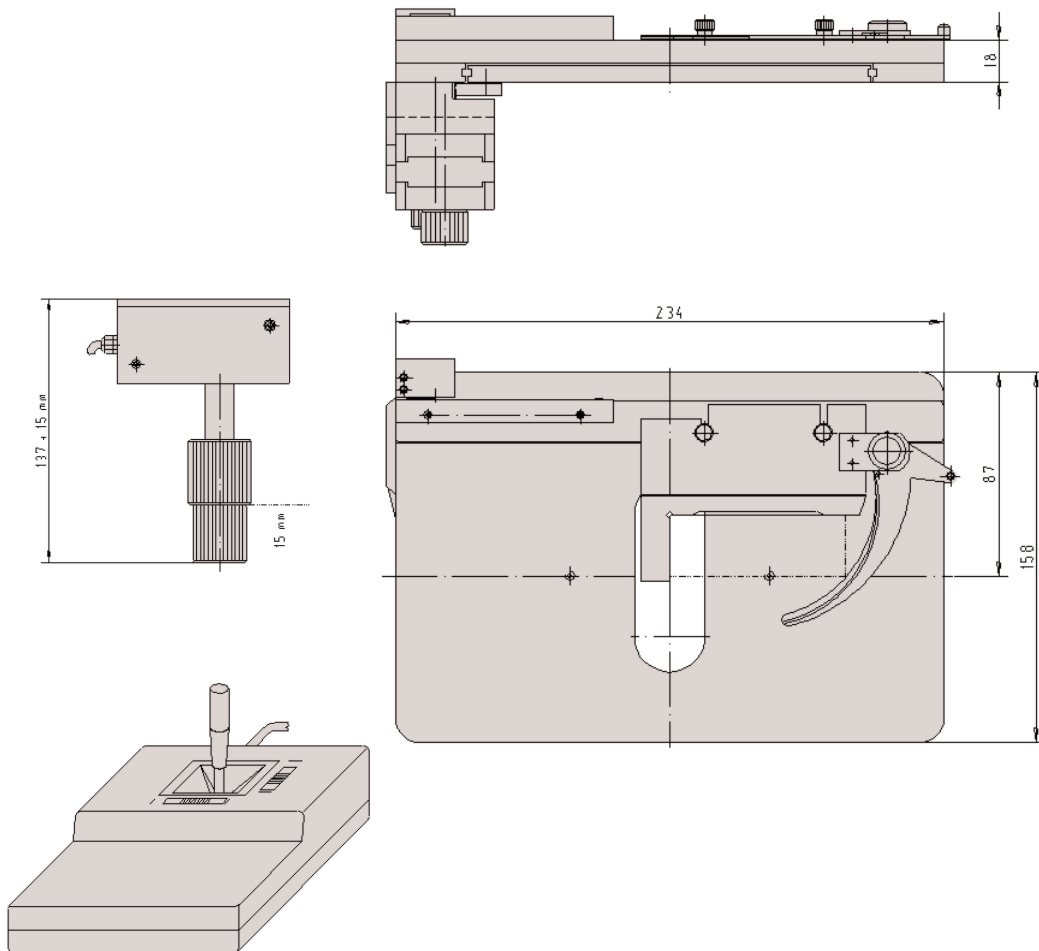


Microscope stages



ECODRIVE
economical system



Specifications

Order information

Part No.: 00-27-304-0000
with controller and joystick

Part No.: 00-27-303-0000
with controller and electronic
stage controls

The controller for the ECODRIVE stage either comes with a joystick, or with electronic control knobs. The user has a choice of software controlled motion, or traditional manual movement in μm range using the electronic control knobs mounted on the stage.

The ECODRIVE is a complete system consisting of a motorized stage and controller.

ECODRIVE stands for a unique opportunity to automate applications with lower requirements on accuracy. For reasons of affordability only manual equipment has been available for such applications, until now.

The ECODRIVE stage features a range of travel 76 x 50 mm. It is equipped with a specimen holder for standard slides. The top plate is finished with our wear-resistant Ceraplasma™ coating.

The ECODRIVE controller is compatible to the LSTEP and comes with the same basic "WinCommander" software.

Travel range:	76 x 50 mm (3" x 2")
Repeatability:	3 μm (unilateral motion) 20 μm (bilateral motion)
Accuracy:	< 30 μm
Resolution:	approx 0,7 μm
Interface:	RS 232

Märzhäuser GmbH & Co. KG
In der Murch 15
35579 Wetzlar-Steindorf
Tel.: +49 (0) 64 41/91 16-0
Fax: +49 (0) 64 41/91 16-40
eMail: info@marzhauser.com
www.marzhauser.com